

VLMT CENTRIFUGAL PUMPS

PRODUCT INFORMATION

TYPE VLMT

Horizontal and vertical end suction and in-line pumps in accordance with DIN 24255 and ISO 2858. VLMT pumps come with different shaft seals, bearings and materials, and we design them to fulfil specific tasks. Areas of application include fresh and salt water supply, district heating, fire fighting, and industrial plants.

The pump can be fitted with eight different running wheels.

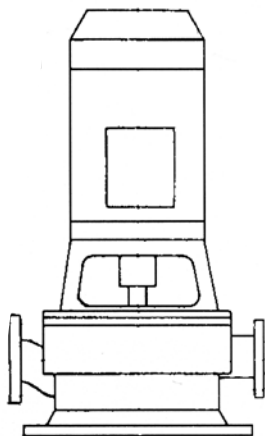
Q: max. 900 m³/h

H: max. 400 mWc

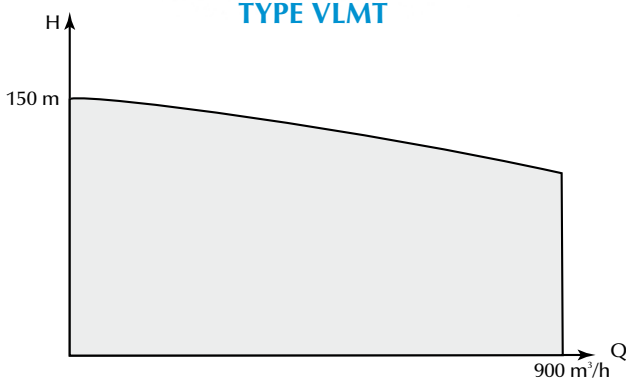
Temp.: max 120°C

PN: Tn 10 Tn 25

DN: 65 – 400



TYPE VLMT



Indicative curve.

We tailor our pumps to your needs.

Contact us to hear more.



UPON REQUEST

To allow us to offer the optimum pump solution, please list the following in your request:

1. Pump capacity
2. Manometric head
3. Static pressure at the pump
4. Liquid specification, including: temperature, density, viscosity, steam pressure, corrosion properties, and solid particle content.
5. Special materials required.
6. Power supply voltage and frequency.
7. Special requests in terms of drive device.



For further information please contact us – or visit our website at www.trium.dk

TRIUM / B. Christensen Maskinfabrik Eftf. ApS / Pumps and Marine Services

Linåvej 9F | Hårup | DK-8600 Silkeborg | Tel +45 86 28 04 00 | Fax +45 86 28 04 89 | post@trium.dk

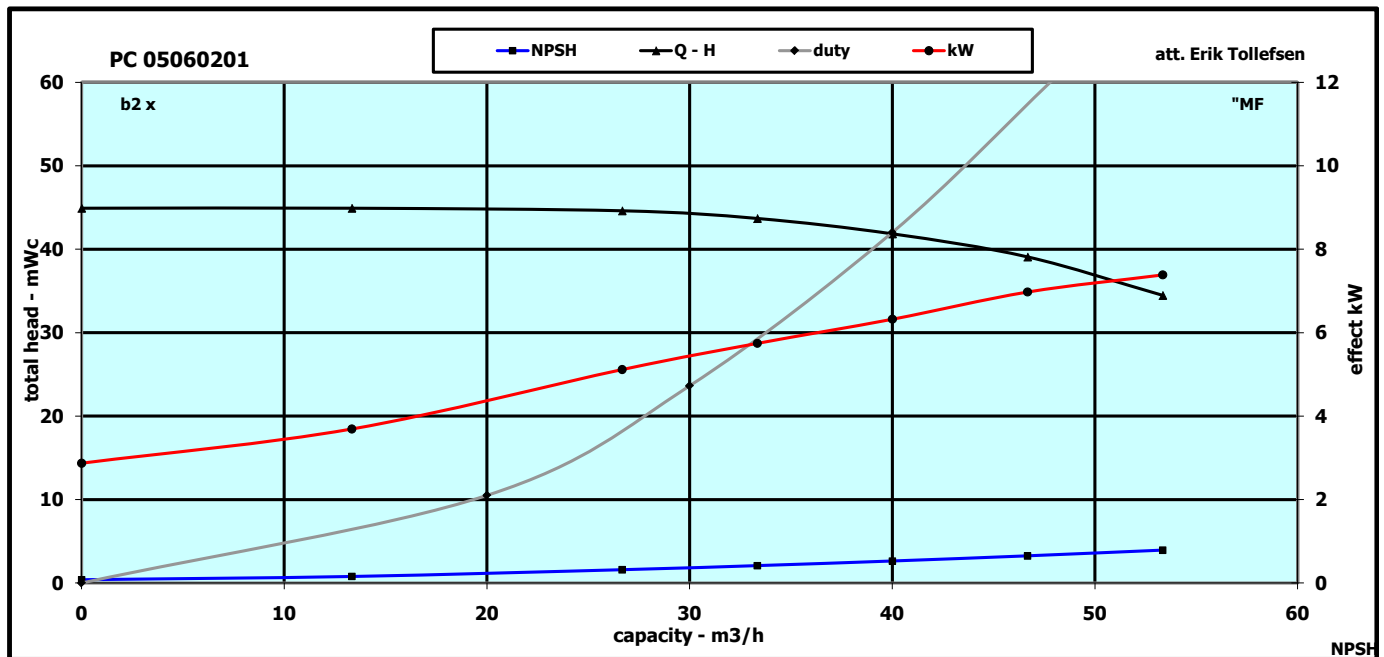
VLMT CENTRIFUGAL PUMPS

PRODUCT INFORMATION



VLMT 80-80/200
FELSTED VANDVÆRK

VLMT 300-300/450
HOLBÆK VANDVÆRK
900m³ · 7mWc
(6 pole motor)



design data				curve data				duty								
2930,0	rpm	235,0	ø mm	2770,0	rpm	195,0	ø mm	40,0	42,0	Theor.	NPSH					
Q m3/h	H mWc	P kW	%	Q m3/h	H mWc	P kW	%	Q m3/h	H mWc	Q m3/h	H mWc					
0	73,0	6,0	0,0	0	44,9	2,9	0,0	0	0,0	0	0,4	Felsted Vandværk TYPE: VMLT 80-80/200 Trium Pumper www.trium.dk Phone +45 86 28 04 00				
17	73,0	7,7	44,2	13	44,9	3,7	44,2	20	10,5	13	0,8					
34	72,5	10,6	63,4	27	44,6	5,1	63,4	30	23,6	27	1,6					
43	71,0	11,9	69,1	33	43,7	5,7	69,1	40	42,0	33	2,1					
51	68,0	13,1	72,1	40	41,8	6,3	72,1	48	60,5	40	2,6					
60	63,5	14,5	71,2	47	39,1	7,0	71,2	d ø mm	c m/sec	47	3,2					
68	56,0	15,3	67,8	53	34,5	7,4	67,8	80	2,2	53	3,9	Impeller	3598	Curve	K2341	2005
												k x s x i =	2,00	cd =	0,78	ok

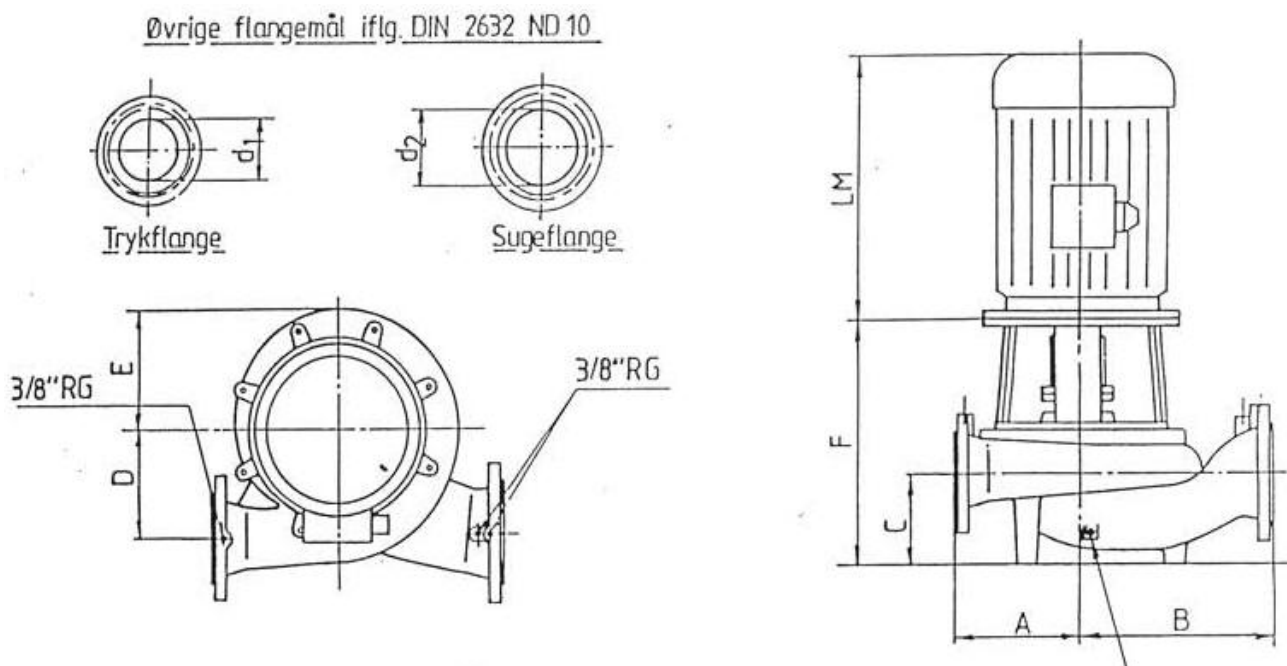


For further information please contact us – or visit our website at www.trium.dk

TRIUM / B. Christensen Maskinfabrik Eftf. ApS / Pumps and Marine Services
 Linåvej 9F | Hårup | DK-8600 Silkeborg | Tel +45 86 28 04 00 | Fax +45 86 28 04 89 | post@trium.dk

VLMT CENTRIFUGAL PUMPS

PRODUCT INFORMATION



PARALLEL PUMPS

Type of Pump	Dimensions (mm)											Material		
	A	B	C	D	E	F	G	H	d1	d2	Mx1	LM*	GG	RG
VLMT 100-125-350	300	360	160	460	230	200	260	170	100	125	16			
VLMT 125-125-350	300	360	160	460	230	200	260	170	125	125	16			
VLMT 125-150-350	300	360	160	460	230	200	400	300	125	150	16			
VLMT 150-150-350	300	360	160	460	230	200	400	300	150	150	16			
VLMT 150-200-350	350	400	160	460	350	300	400	300	150	200	16			
VLMT 200-200-350	350	400	160	460	350	300	400	300	200	200	16			
VLMT 200-250-350	380	450	260	700	350	300	425	360	200	250	16			
VLMT 250-250-350	380	450	260	700	350	300	425	360	250	250	16			
VLMT 250-300-350	380	450	260	700	350	300	425	360	250	300	16			
VLMT 300-300-350	380	450	260	700	350	300	425	360	300	300	16			

*) Indicative dimensions based on max. standard motor size - Pump series VLMT



For further information please contact us – or visit our website at www.trium.dk

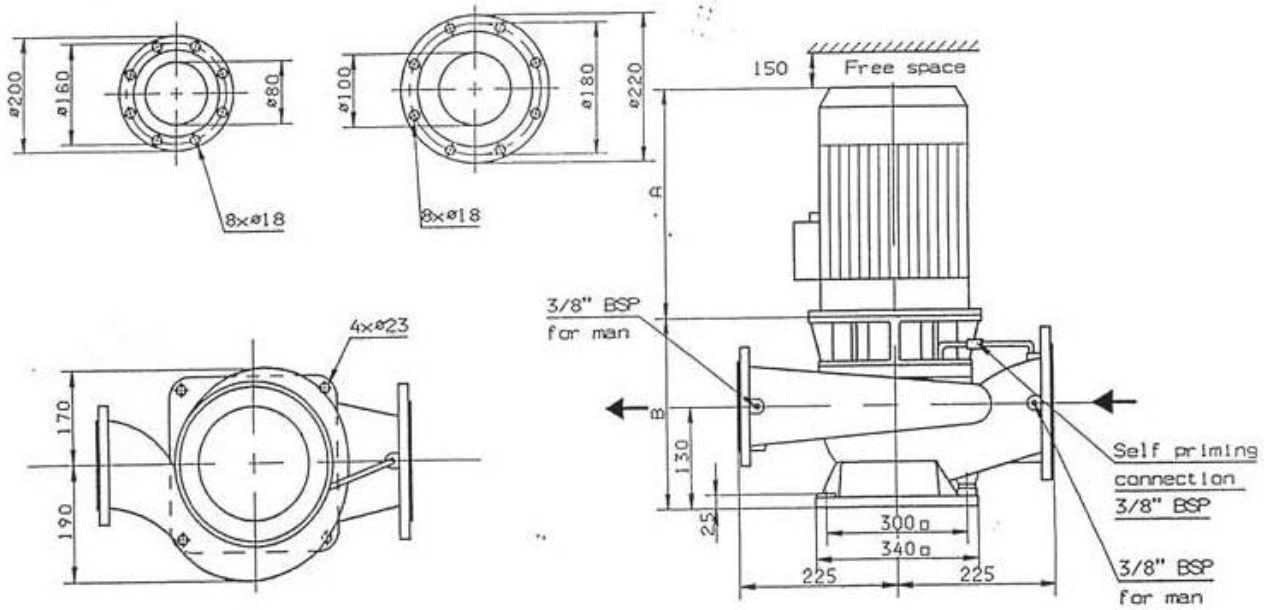
TRIUM / B. Christensen Maskinfabrik Eftf. ApS / Pumps and Marine Services
 Linåvej 9F | Hårup | DK-8600 Silkeborg | Tel +45 86 28 04 00 | Fax +45 86 28 04 89 | post@trium.dk

VLMT CENTRIFUGAL PUMPS

PRODUCT INFORMATION

Discharge flange acc. to
DIN 2632, NP 10

Suction flange acc. to
DIN 2632, NP 10



STRAIGHT LINE PUMPS

Type of Pump	Dimensions (mm)											Material		
	A	B	C	D	E	F	G	dh	d1	d2	Mx	LM*	GG	RG
VLMT 80-100-260	230	230	140	430	40	200	180	210	80	100	12			
VLMT 100-100-260	230	230	140	430	30	200	180	210	100	100	12			

*) Indicative dimensions based on max. standard motor size - Pump series VLMT



For further information please contact us – or visit our website at www.trium.dk

TRIUM / B. Christensen Maskinfabrik Eftf. ApS / Pumps and Marine Services
Linåvej 9F | Hårup | DK-8600 Silkeborg | Tel +45 86 28 04 00 | Fax +45 86 28 04 89 | post@trium.dk

Danish Quality 